

TEMPORARY OUTDOOR PATIO PROCESS

Salt Lake City & Department of Alcoholic Beverage Services (DABS)

1

Read through all materials. All retail or patios on the sidewalk require a permit, ADA access, and enclosed patios if serving alcohol. ADA ramps can be rented by contacting Ibrahim Ramazani at Ibrahim.Ramazani@slcgov.com.

2

Create dimensional site plan and elevation drawing to scale on 8 1/2 x 11 paper, include patio dimensions, table/chair location, and ADA ramp location (if needed).

3

If your outdoor dining patio will be on a City sidewalk, Apply for City Permit and DABS (if serving alcohol) extension of premise permits.

4

If outdoor dining patio is on private property, owned by someone other than the licensee, and serving alcohol, obtain a letter of consent from the property owner and include it in the DABS application.

5

In DABS and city permit application include certification of insurance and site plan.

6

Submit City and DABS permits by June 30th.

7

Receive City and DABS permit prior to event.

8

Work with Salt Lake City point of contact: Ibrahim.Ramazani@slcgov.com

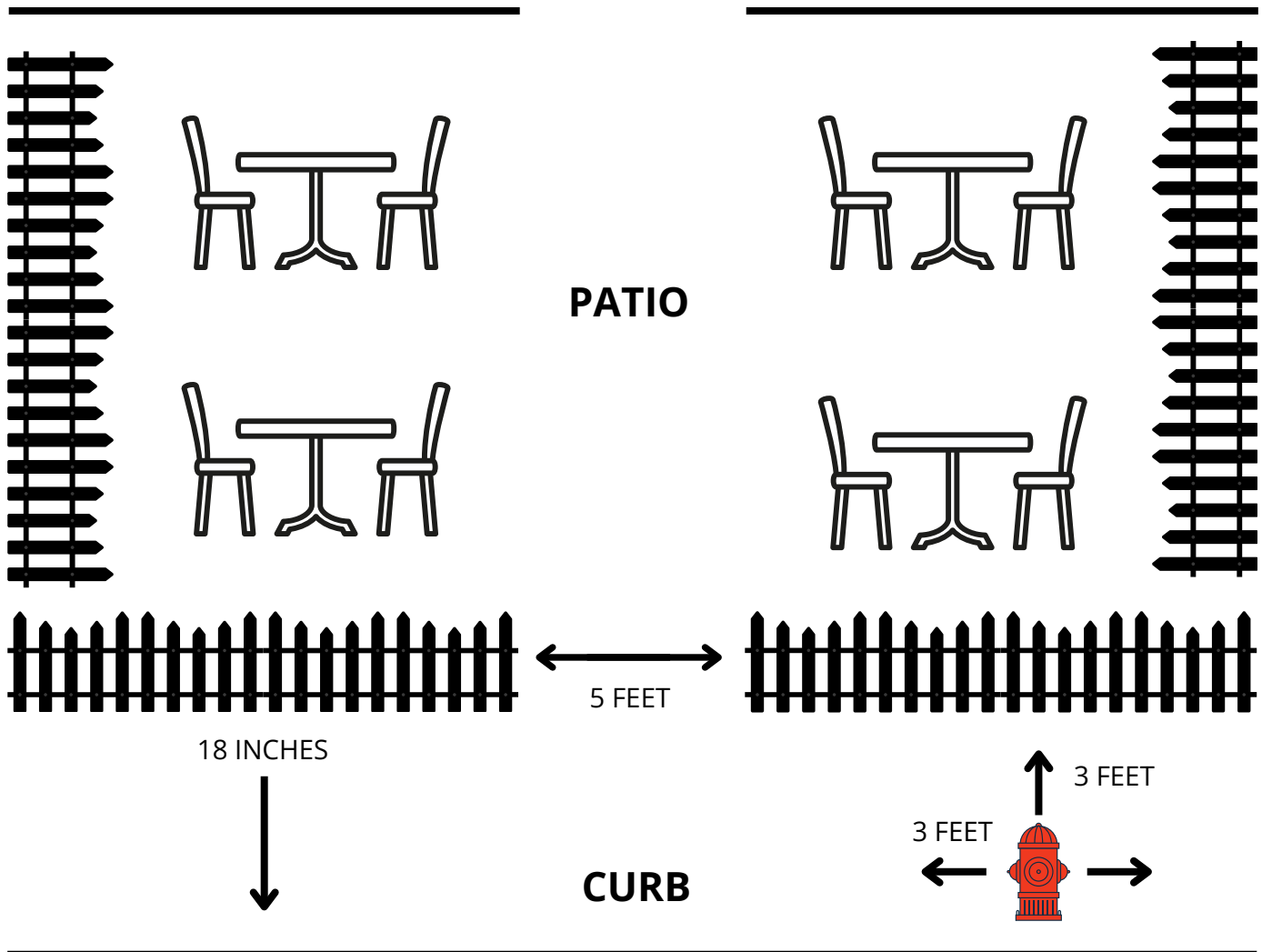


DEPARTMENT of
ECONOMIC
DEVELOPMENT

FOR ANY QUESTIONS PLEASE
CONTACT IBRAHIM RAMAZANI AT
IBRAHIM.RAMAZANI@SLCGOV.COM

CURBSIDE OUTDOOR DINING AREA

BUSINESS ENTRANCE

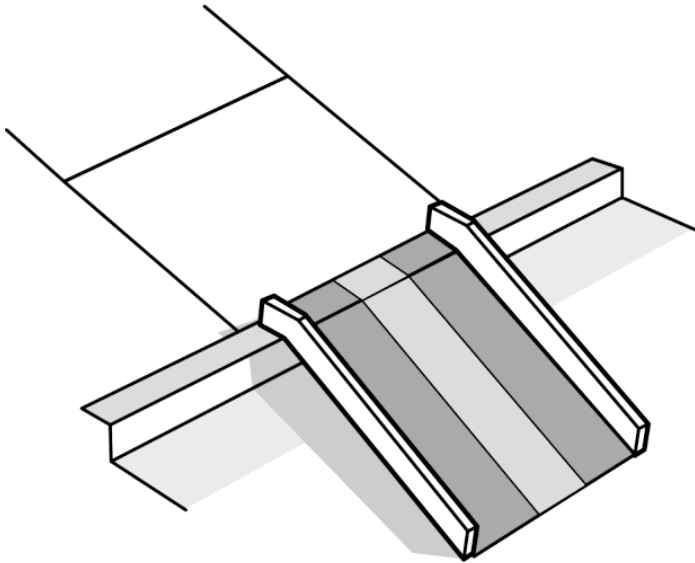


Site Plan Required Measurements:

- Measure a 5 Feet entrance for public access.
- Measure 18 Inches from the curb. This is the beginning of your patio.
- No site may be within 3 feet of a fire hydrant in any direction.
- Note all obstacles in your site plan.

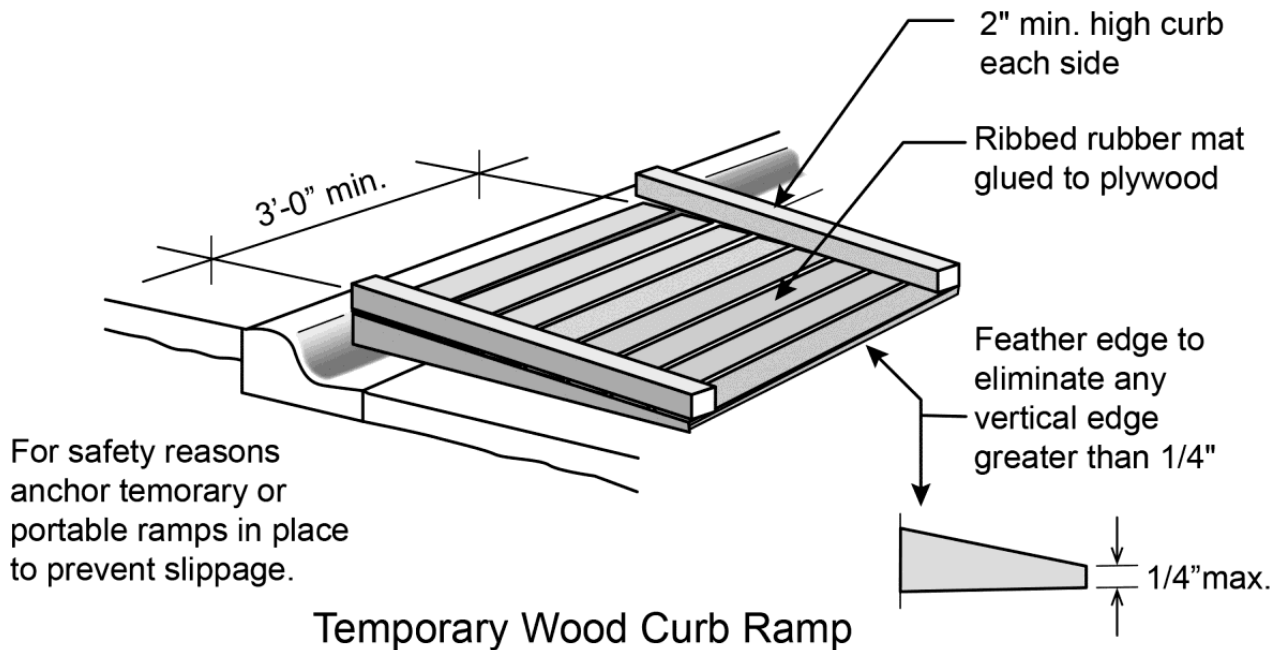
RAMP OPTIONS

Americans with Disabilities Act (ADA)



ADA ramps can be rented by contacting Ibrahim Ramazani at Ibrahim.Ramazani@slcgov.com

Manufactured Portable Curb Ramp



Temporary Wood Curb Ramp

(FAQ) FREQUENTLY ASKED QUESTIONS

What are the fees associated with an outdoor patio?

- During this special event, there is no additional cost to Salt Lake City for patio expansions.
- There is no additional cost to the DABS permit holder for obtaining an expansion to the existing permit premises
- All patio and ADA ramp costs are the business responsibility

What barriers do I need for outdoor dining areas?

- Barriers are required in outdoor dining areas that serve alcohol. Planters may be used.
- The height may not exceed 36 inches and the bottom of barrier must not exceed 27 inches above the sidewalk surface.
- Any fencing should be sturdy, freestanding, and removable at the end of each night.
- All patios must have ADA access

Where can my outdoor patio be?

- No outdoor business activities shall encroach upon any part of the sidewalk frontage of another property without written permission.
- Anything placed in the right-of-way must be removed at the close of business each day.
- All patios must have ADA access



For more permits & links visit our website using this QR Code or go to www.slc.gov/ed/open-streets-slc/

